

# 6" Recessed Downlight

# CR6™

## Product Description

The CR6 is an LED downlight for use in residential and light commercial applications. Designed for new construction and retrofit, it easily installs into most standard six inch recessed IC or non-IC housings. The CR6 generates white light with LEDs in a new way that enables an unprecedented combination of light output, high efficacy, beautiful color, and affordability. U.S. Patent #7,213,940 issued. Numerous patents pending.

## Performance Summary

- Utilizes Cree TrueWhite® Technology
- Delivered Light Output = 575 lumens
- Input Power = 10.5 Watts
- CRI = 90
- CCT = 2700K
- Dimmable to 5%
- Five Year Warranty
- Designed to last 50,000 hours

## Ordering Information

- CR6 - 120V, 2700K, Edison Base, 575 Lumens
- CR6-GU24 - 120V, 2700K, GU24 Base, 575 Lumens

## Accessories - Reference accessory product information sheets for more detail

### Accessory Trims

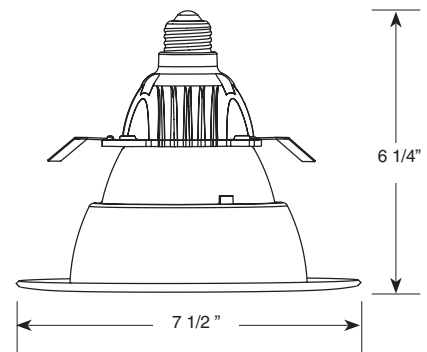
- CT6A - Diffuse anodized
- CT6AW - Wheat diffuse anodized
- CT6AB - Black diffuse anodized

### Housings

- H6 - Architectural
- RC6 - New construction
- RR6 - Retrofit
- SC6 - Surface mount
- SC6-CM - Cord mount
- SC6-WM - Wall mount



CR6



## Product Information

### Cree TrueWhite® Technology

- A better way to generate white light that utilizes a patented mixture of unsaturated yellow and saturated red LEDs.
- Designed to last 50,000 hours and maintain at least 70% of initial lumen output.
- Color management system maintains color consistency over time and temperature.
- Color consistency exceeds ENERGY STAR® requirements for SSL Luminaires.

### Construction

- Integrated thermal management system conducts heat away from LEDs and transfers it to the surrounding environment. LED junction temperatures stay below specified maximums in worst case installations.
- One piece aluminum lower reflector redirects light and conducts heat away from LEDs.
- Rugged upper housing protects driver and power supply.
- Lower reflector easily accommodates snap-in trims.

### Optical System

- Proprietary optical system utilizes a unique combination of reflective and refractive optical components to achieve a uniform, comfortable appearance.
- Pixilation and direct view of unshielded LEDs are eliminated.
- Lower reflector creates a comfortable visual transition from the diffuser to the ceiling plane.

### Electrical System

- Integral, high efficiency driver and power supply.
- Power factor > 0.8
- Input voltage = 120V, 60Hz.
- Dimmable to 5% with most incandescent dimmers (reference [www.CreeLEDLighting.com](http://www.CreeLEDLighting.com) for recommended dimmers).

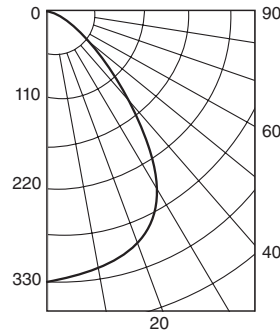
### Regulatory and Voluntary Qualifications

- cULus Listed®.
- Exceeds California Title-24 high efficacy luminaire requirements.
- Suitable for damp locations.
- ENERGY STAR® qualified Solid-State Lighting Luminaire.

## Photometry

CR6

Based on OnSpex Report 30014047-3



### Intensity (Candlepower) Summary

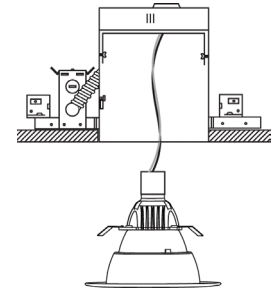
ANGLE	MEAN CP
0°	328
5°	326
15°	311
25°	278
35°	211
45°	125
55°	61
65°	30
75°	18
85°	4
90°	0

### Zonal Lumen Summary

ZONE	LUMENS	%LAMP	%FIX
0° - 30°	242	42.10	42.10
0° - 40°	371	64.60	64.60
0° - 60°	521	90.60	90.60
0° - 90°	575	100.00	100.00

## Installation

- Designed to easily install in standard 6" downlight housings from Cree and other manufacturers.\*
- Quick install system utilizes a unique retention feature. Simply attach socket to CR6. Move light to ready position and slide into housing. Rotate module ¼ turn to the right to lock in place.



\* Reference [www.CreeLEDLighting.com](http://www.CreeLEDLighting.com) for a list of compatible housings.